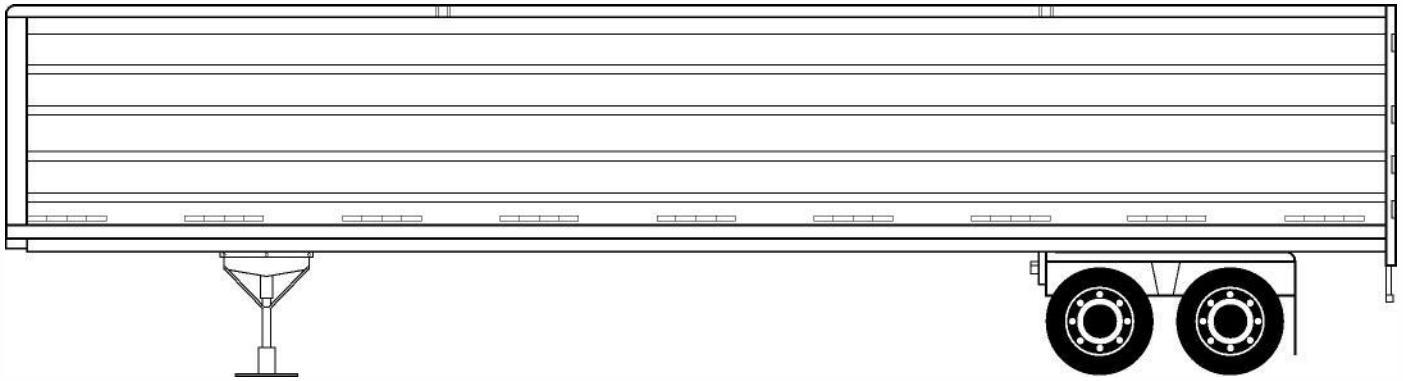


# Trailer Equipment Guide

Dry / Refrigerated / Containers / Bulk / Specialized



## Dry Van

### Standards

**Lengths:** 28, 32, 36, 40, 42, 43, 45, 48, 53

**Widths:** 96–102 inches

**Heights:** 12.5–13.5 feet

**Commodities hauled can include:** Packaging, paper, dry grade food, beverages, clothing, building products, lawn/garden goods, chemicals, ink/paint, batteries, seed, finished products

### Capacity

**Max Weight 53':** 45,000 pounds

**Max Pallets 53':** 26

**Volume 53':** approx. 3,500 feet<sup>3</sup>

### Options and Features

Heated

Screwed in wood floors

eTrack

Lift gates

Vented trailers

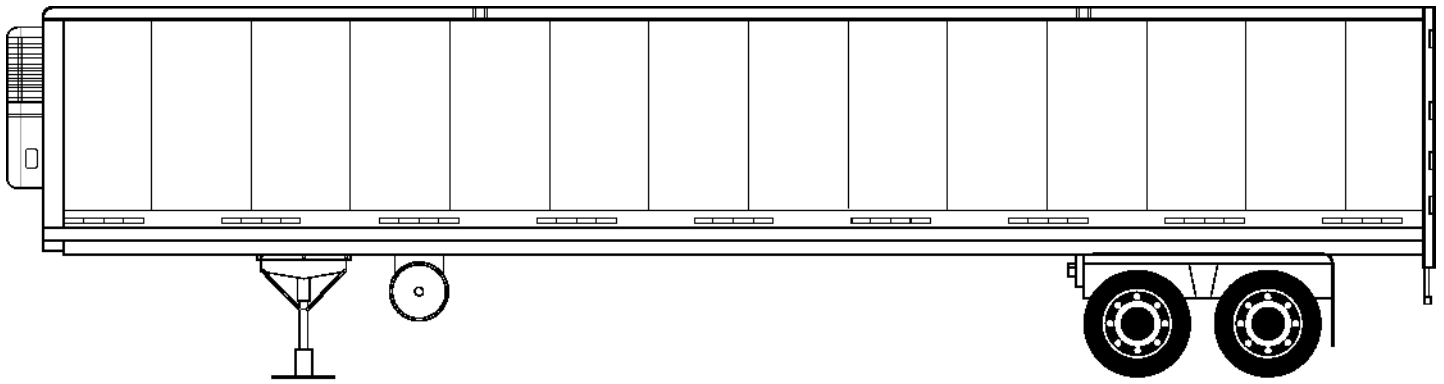
Plate trailer

Roll up doors

Swing doors

Food grade

	45' Van	48' High Cube Van	53' High Cube Van
<b>Overall Length</b>	45'	48'	53'
<b>Inside Length</b>	44.6'	47.4'	52.4'
<b>Overall Height</b>	13' 6"	13' 6"	13' 6"
<b>Inside Height</b>	102"	110"	110"
<b>Door Opening</b>	106" H 92" W	110" H 98.3" W	110" H 98.3" W
<b>Overall Width</b>	96"	102"	102"
<b>Inside Width</b>	92" at scuff	98.7" at scuff	98.7" at scuff
<b>Dock Height</b>	50"	50"	50"
<b>Loading Capacity Up To</b>	45,000	45,000	44,000



## Reefer Trailer

### Standards

**Lengths:** 28, 32, 36, 40, 48, 51, 53 feet

**Widths:** 96–102 inches

**Heights:** 12.5–13.5 feet

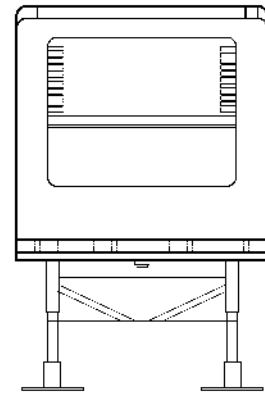
**Commodities hauled can include:** **Fresh:** floral/nursery, produce, juice, meat, dairy/deli **Frozen:** ice cream, frozen food products, frozen fruits & vegetables **Temp Controlled:** beverages (soda/wine), chocolate/candy, lubricants, computer servers

### Capacity

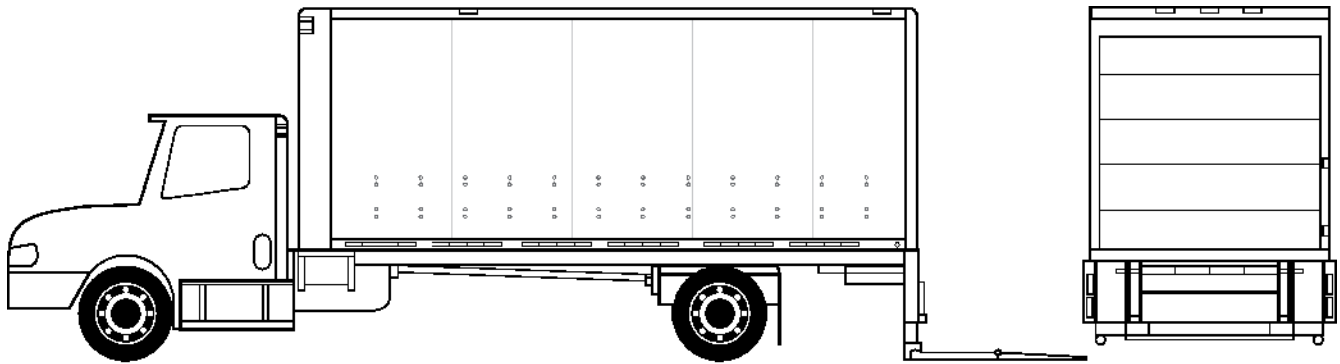
**Max Weight 53':** 44,000 pounds **Max Pallets 53':** 26  
**Max Volume 53':** 3,700 feet<sup>3</sup>

### Options and Features

e-Track  
 Produce chutes  
 Downloadable T.R.U.  
 Roll up doors  
 Swing doors



	48' Reefer	53' Reefer
<b>Overall Length</b>	48'	53'
<b>Inside Length</b>	46' 6"	51' 6"
<b>Overall Height</b>	13' 6"	13' 6"
<b>Inside Height</b>	103.5"	103.5"
<b>Door Opening</b>	101.8" H 98.3" W	11.8" H 98.3" W
<b>Overall Width</b>	102"	102"
<b>Inside Width</b>	97" at scuff 97.4" at liner	97" at scuff 97.4" at liner
<b>Coupler Height</b>	47"	47"
<b>Dock Height</b>	51.5"	52.2"
<b>Loading Capacity Up</b>	44,000	43,500



## Straight Truck (With Lift Gate)

### Standards

**Lengths:** 22–26 feet

**Widths:** 96–102 inches

**Heights:** 12.5–13.5 feet

**Commodities hauled can include:** Office material, furniture, cleaning supplies, local vendor material

### Capacity

**Max Weight 26':** 14,000 pounds

**Max Pallets 26':** 12

**Max Volume 26':** approx. 1,700 feet<sup>3</sup>

### 26' Dimensions

**Width:** 102 inches

**Height:** 12.5 feet

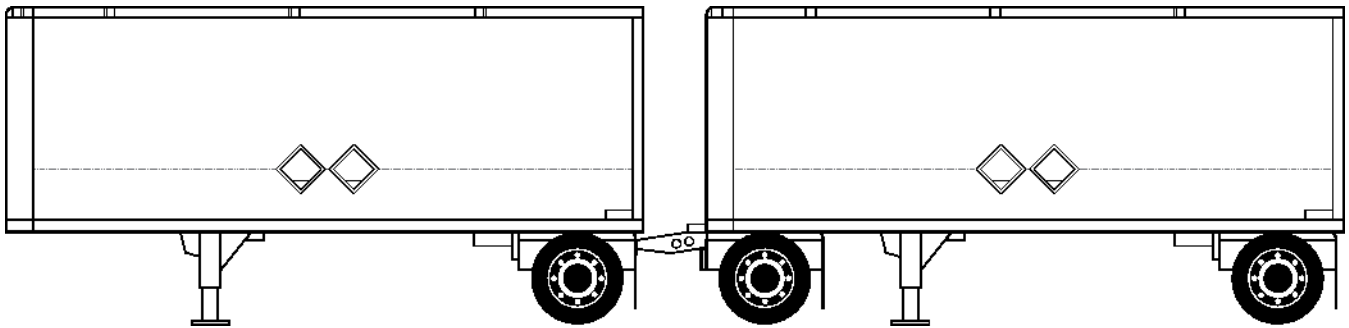
### Options and Features

Lift gates

Vented trailers

eTrack

Refrigeration



## LTL Pup Trailers

### Standards

**Lengths:** 28 feet

**Widths:** 96–102 inches

**Heights:** 12.5–13.5 feet

**Commodities hauled can include:** Wide range

### Capacity

**Max Weight 28':** 22,000 pounds

**Max Pallets 28':** 14

**Max Volume 28':** 2,000 feet<sup>3</sup>

### 28' Dimensions

**Length:** 102 inches

**Height:** 13.5 feet

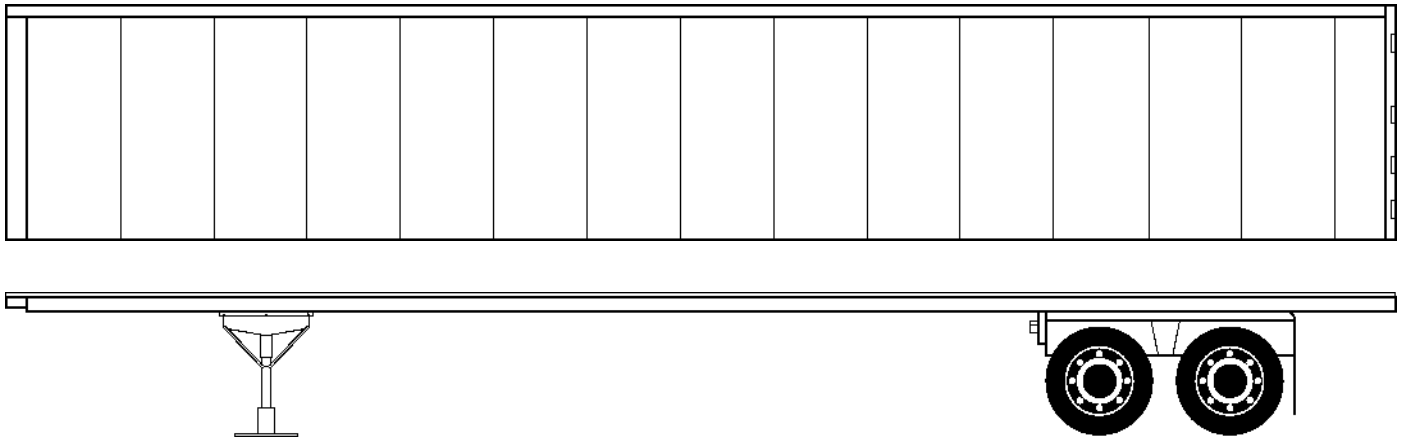
### Options and Features

Single, tandem, or triple

Lift Gates

Vented Trailers

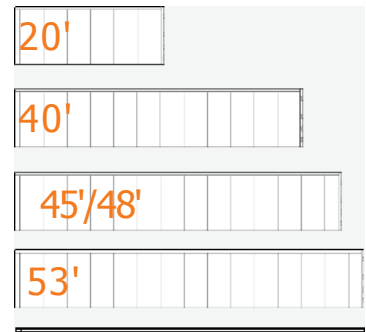
eTrack



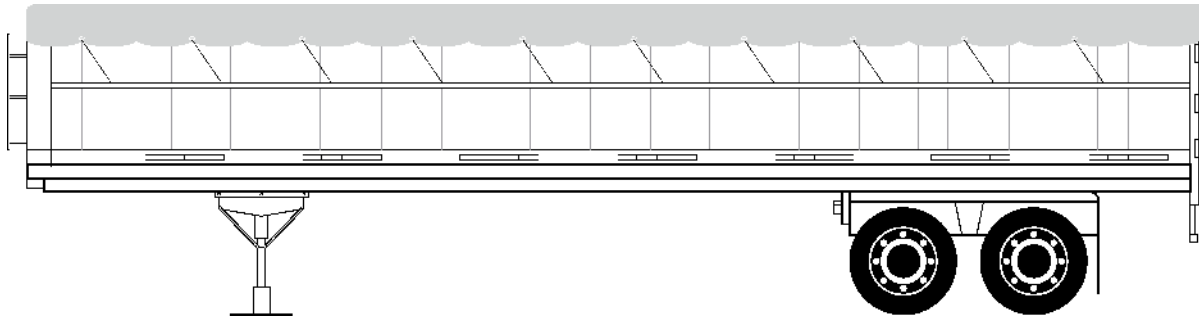
## Containers

### Standards

**Container Lengths:** 20, 40, 45, 48, 53 feet  
**Widths:** 98–102 inches  
**Heights:** 8.5–9.5 feet



	20'	40'	40'	45'	48'	53'
<b>Overall Length</b>	19'10"	40'0"	40'0"	45'	48'	53'
<b>Inside Length</b>	19'4"	39'6"	39'6"	44.6'	47.6'	52.3'
<b>Overall Height</b>	8'6"	8'6"	9'6"	9'6"	9'6"	9'6"
<b>Inside Height</b>	7'9"	7'10"	8'10"	8'10"	8'10"	8'10"
<b>Door Opening</b>	7'6" H 7'8" W	7'6" H 7'8" W	8'6" H 7'8" W	8'6" H 7'8" W	8'6" H 8'2" W	8'10" H 8'2" W
<b>Overall Width</b>	8'0"	8'0"	8'0"	8'0"	8'6"	8'6"
<b>Inside Width</b>	7'8"	7'8"	7'8"	7'8"	8'2"	8'2"
<b>Capacity</b>	1,170 ft <sup>3</sup>	2,390 ft <sup>3</sup>	2,700 ft <sup>3</sup>	3,000 ft <sup>3</sup>	3,480 ft <sup>3</sup>	3,800 ft <sup>3</sup>



## Open Top

### Standards

**Lengths:** 28, 40, 42, 45, 48, 53 feet

**Widths:** 96–102 inches

**Heights:** 8–13.5 feet

**Commodities hauled can include:** Scrap metal, garbage

### 48' Dimensions

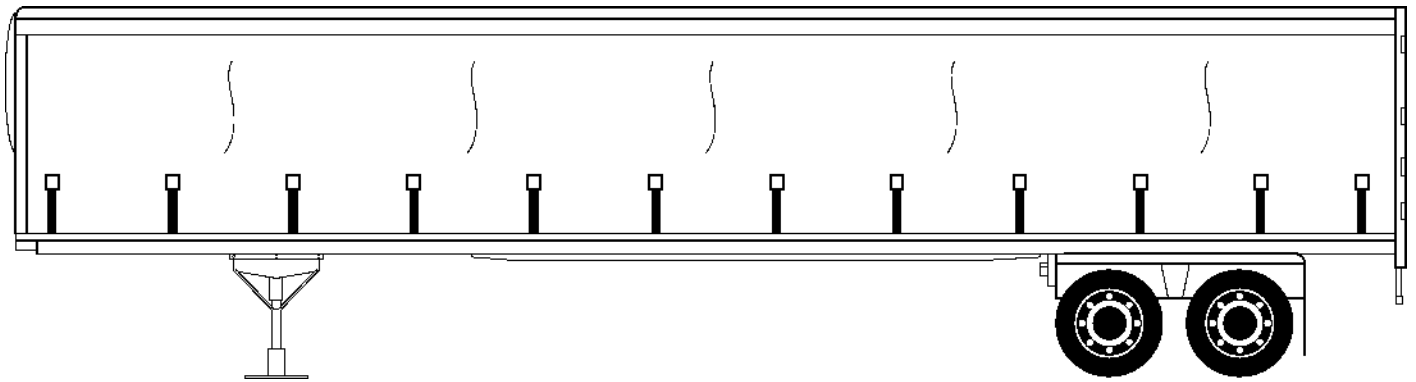
**Length:** 102 inches

**Height:** 8 feet

### Capacity

**Max Weight 48':** 50,000 pounds

**Max Volume 48':** 3,000 feet<sup>3</sup>



## Curtain Side

### Standards

**Lengths:** 45, 48, 53 feet

**Widths:** 102 inches

**Heights:** 12.6–13.5 feet

**Commodities hauled can include:** Lumber, piping, building materials, metal products, windows & doors

### 53' Dimensions

**Width:** 102 inches

**Height:** 13.6 feet

### Capacity

**Max Weight 53':** 53,000 pounds

**Max Pallets 53':** 26

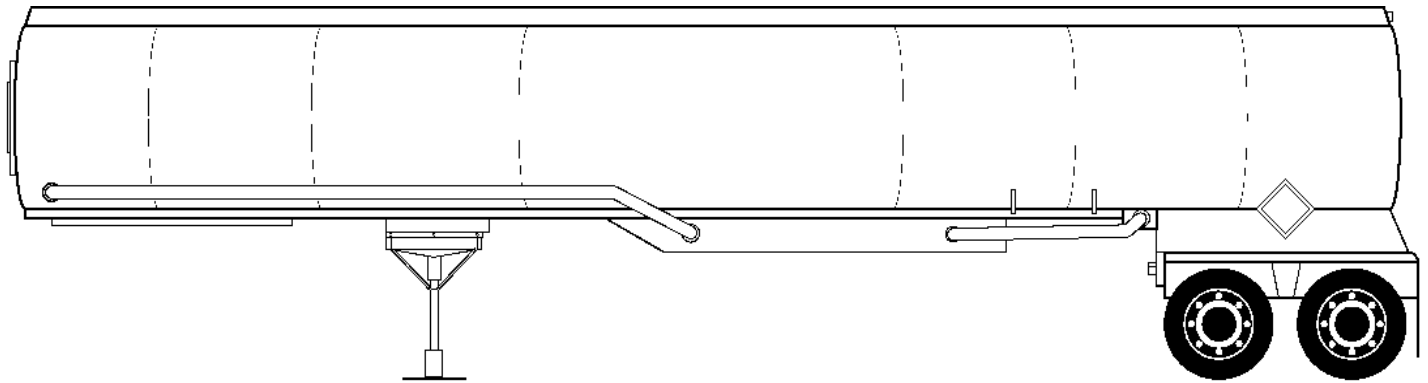
**Max Volume 53':** 3,800 feet<sup>3</sup>

### Options and Features

Slide rail

Sliding roof

Aluminum roof



## Tanker

### Standards

**Lengths:** 40, 42, 43, 45, 48, 53 feet

**Widths:** 96–102 inches

**Heights:** 12–13.5 feet

**Bulkheads:** 1–7

**Commodities hauled can include:** Oil, gas, liquid sweetener

### Capacity

**Max Volume 53':** 3,000 - 9,000 gallons

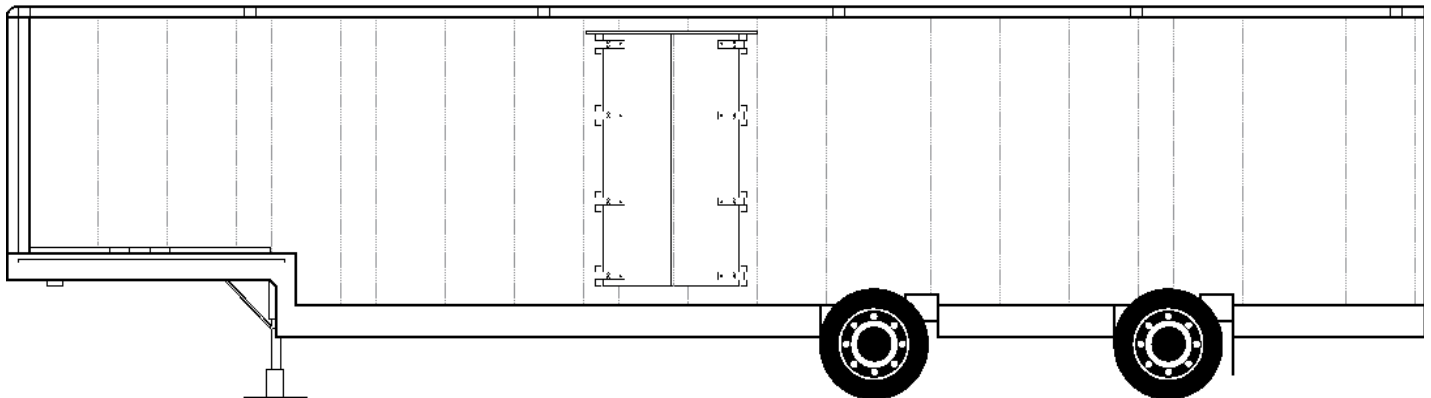
### Options and Features

Center unload

Rear unload

Insulated

Non-insulated (skin)



## Drop Deck / eVan

### Standards

**Lengths:** 45, 48, 53 feet

**Widths:** 96 - 102 inches

**Heights:** 13.5 feet

**Commodities hauled can include:** Electronics, furniture, water heaters

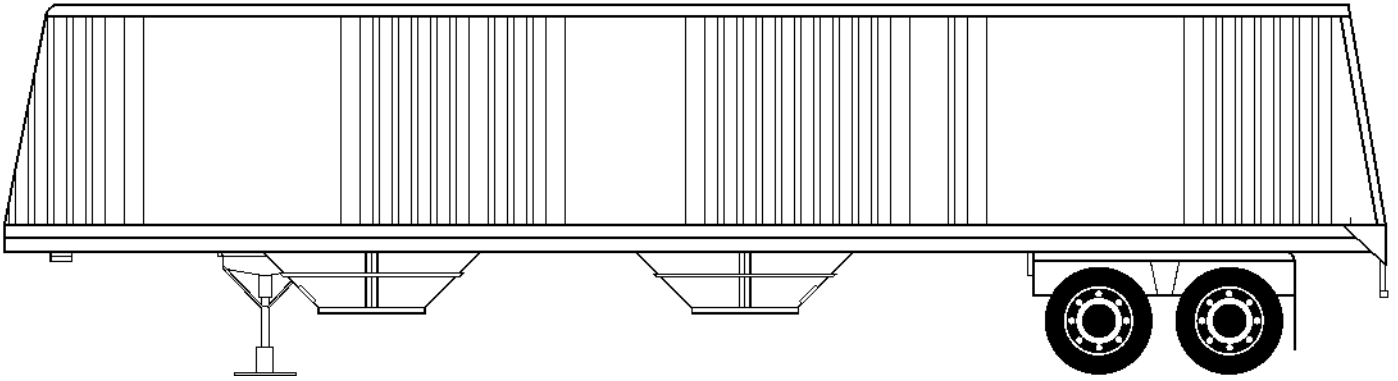
### 53' Dimensions

**Width:** 102 inches

**Height:** 13.5 feet

### Capacity

**Max Volume 53':** 4,400 feet<sup>3</sup>



## Hopper

### Standards

**Lengths:** 40, 42, 43, 45, 48, 50, 53 feet

**Widths:** 96–102 inches

**Heights:** 10.5–11.5 feet

**Commodities hauled can include:**

Wheat, grain, gravel

### Capacity

**Max Volume 53':** 2,100 feet<sup>3</sup>

### 53' Dimensions

**Width:** 96 inches

**Height:** 11.5 feet

### Options and Features

Platforms

Traps (for loading)

Hoppers (for unloading)

Pneumatic end dump